



Catalog Number:	
Project:	
Comments:	
Prepared By:	Date:

### Technical Specifications

**Input Voltage:** 120V-277V

**Kit Contents:** The kit consists of an aluminum panel with integrated LED circuit board, LED driver, 20kA surge suppressor, and all wiring and hardware required for installation. Installation of the kit to the existing fixture is accomplished via provided mounting screws.

**Power Supply:** A single wide range (120V to 277V) 95 watt, regulated DC power supply is included. The power supply is compliant with UL 1012 and 1310. The drive current provided to the LEDs is 84mA.

The power supply performance meets the following electrical characteristics: THD: Less than 20%. PF: Greater than 0.90 @ 120V.

**Color Temperature:** 2700K warm white. All LEDs are rated for a minimum of 100,000 hours of continuous operation at ambient temperatures from -40°F to 120°F.

**Light Engine:** Each light engine consists of a total of 156 Nichia LEDs. The LED board is mounted to a painted steel or aluminum panel that is custom designed for the existing fixture.

**Color Rendering Index (CRI):** Minimum of 70 or higher.

**Dimming:** 0-10V standard dimming capability.

**Surge Protection:** Thermally protected 20kA/ 40kV varistor type surge suppressor is included and meets IEEE/ANSI C62.41.2 guidelines for "C High exposure." Also meets IEC61643-11 Class II / EN61643-11 Type 2, and US Dept of Energy MSSLC Model Spec for surge protection. The device is wired in series with the luminaire input power in order to interrupt power to the luminaire when consumed, protecting the LED power supply and circuit boards from additional electrical surges.

**Lumecon ETD™ System:** The enhanced thermal dissipation system engines are thermally bonded to provide maximum thermal dissipation to the exterior of the fixture to ensure long life. To protect the light engine panel from moisture and corrosion, the LED light engine panel is uniformly coated with a UV stabilized acrylic polymer resin that meets MIL and ASTM dielectric standards, UL, and IPC standards for flammability, moisture resistance and thermal shock.

**Manufacturing Origin:** US Manufactured and Assembled.

**Buy American:** Meets Buy American requirements within the ARRA.

**Warranty:** 10 Year L70 performance based warranty. For full warranty terms, please visit our website: [www.lumecon.com](http://www.lumecon.com)

### Description

The D1266-01 retrofit kit is designed to upgrade the submitted fixture sample to the latest LED technology. Installation is designed to be simple and efficient using existing hardware. No drilling is required.

### Performance Data

Model	Watts	Delivered Lumens	Efficacy
D1266-01	95W	9,500 (est)	100 LPW (est)



GE  
Lighting Solutions

# Decorative Post Top Lighting

Town and Country™ (T10C & T10R)



imagination at work

## Product Features

GE offers a variety of decorative Post Top and Pendant Mount Lighting solutions that range from the nostalgic looks of yesterday to the sleek, modern designs of today, providing style and elegance to downtown areas, commercial developments, parks and residential communities.

### Applications

- Residential areas and walkways
- Shopping centers and malls



### Housing

- Die-cast aluminum housing

### Finish

- Powder coat paint finish

### Ratings

- / 1598 Listed Suitable for Wet Locations
- UL listed to Canadian National Standards and Codes when polycarbonate refractor is used and "U" option is chosen



### Unique Features

- Hinged canopy
- Stainless steel catch to avoid hinge breakage
- Acrylic or polycarbonate refractors
- Integral ballast
- Mogul base socket – E39 standard (T10C vertical; T10R horizontal – 15°)
- Plug-in ignitor
- No-tool PE receptacle
- Optional pendant mount (Contact factory)

# Ordering Number Logic

## Town and Country™ (T10C & T10R)



PROD. ID	WATTAGE	LIGHT SOURCE	VOLTAGE	BALLAST TYPE	PE FUNCTION	REFRACTOR	IES DISTRIBUTION TYPE	COLOR	OPTIONS
<b>T10C</b> = Town and Country Luminaire with vertical socket	<b>05</b> = 50 <b>07</b> = 70 <b>10</b> = 100 <b>15</b> = 150 (55V)	<b>S</b> = HPS  Standard: Lamp not included.	<b>60Hz</b> <b>0</b> = Multivolt HPS Auto-Reg <b>1</b> = 120 <b>2</b> = 208 <b>3</b> = 240 <b>4</b> = 277 <b>5</b> = 480 <b>7</b> = 120X240 <b>8</b> = 240V Ballast 120V PE Receptacle. Not reconnectable <b>C</b> = 120x240 277 <b>D</b> = 347 <b>F</b> = 120X347  <b>NOTE:</b> Dual voltage connected for lower voltage	See Ballast and Photometric Selection Table <b>A</b> = Autoreg <b>G</b> = Mag-Reg with Grounded Socket Shell <b>H</b> = HPF Reactor or Lag <b>M</b> = Mag-Reg <b>N</b> = NPF Reactor or Lag	<b>1</b> = None <b>2</b> = PE Receptacle  <b>NOTE:</b> Receptacles connected same voltage as unit except as noted. Order PE Control separately.	<b>A</b> = Acrylic <b>L</b> = Polycarbonate	See Ballast and Photometric Selection Table  <b>SS4</b> = Short Semi-cutoff Type IV  <b>SS5</b> = Short Semi-cutoff Type V  <b>MS2</b> = Medium Semi-cutoff Type II  <b>MS3</b> = Medium Semi-cutoff Type III  <b>MS5</b> = Medium Semi-cutoff Type V	<b>BL</b> = Black (Standard) <b>DB</b> = Dark Bronze <b>GR</b> = Gray	<b>F</b> = Fusing (Not available with dual voltage)  <b>J</b> = Line Surge Protector, Expulsion Type (Not available for UL Listed units)  <b>L</b> = Latch Canopy  <b>T</b> = Terminal Board  <b>U</b> =  /  Listed and CSA Certified (Available with polycarbonate refractor only)  <b>NOTE:</b> Terminal Board (T option) Required for UL Listing
<b>T10R</b> = Town and Country Luminaire with horizontal -15° socket									
<b>NOTE:</b> UL Listed and CSA certified when Polycarbonate refractor is used. See "U" option.									

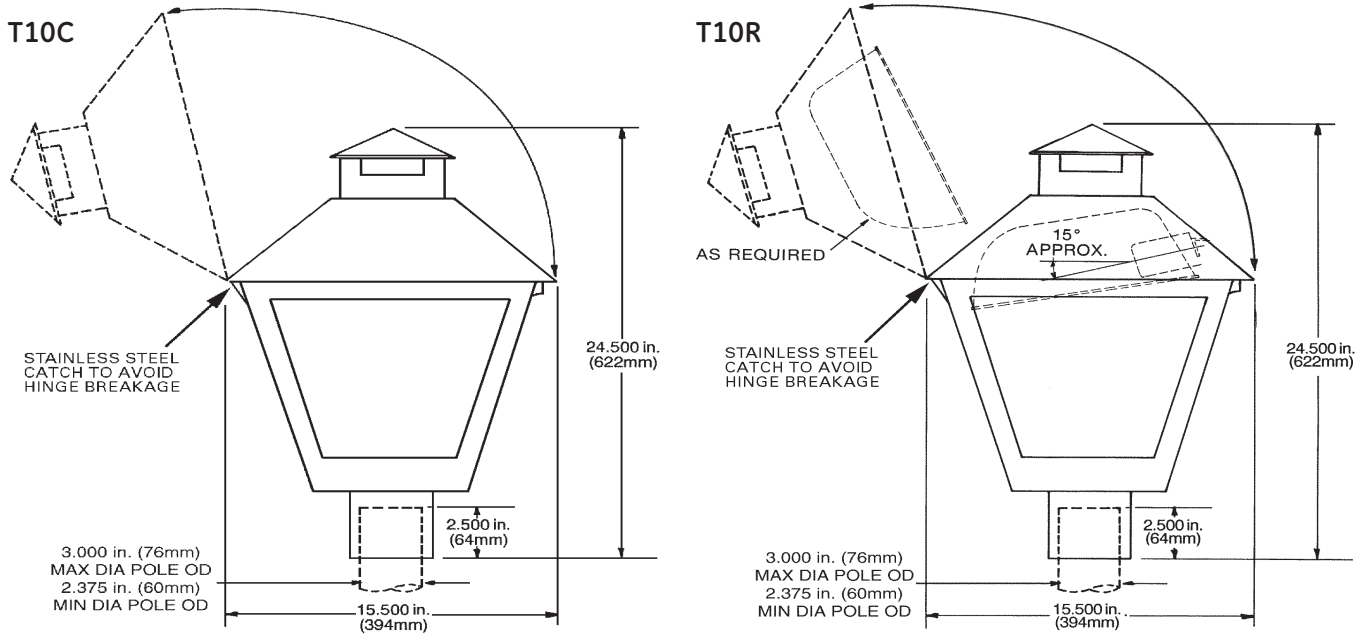
**ALL METAL HALIDE VERSIONS AND THEIR ASSOCIATED OPTIONS ARE NO LONGER AVAILABLE EFFECTIVE JANUARY 1, 2017**

## Ballast and Photometric Selection Table

All light sources are clear unless otherwise indicated.											Photometric Curve Number 35-					
		Ballast Type/Voltage								T10C		T10R				
Wattage	Light Source	Multi-volt	120	208	240	277	480	347, 120X240	120X347	PE R 240/120	IES Distribution Type			MS2	M	SS4
											MS5	SS4	SS5			
50	HPS	N/A	H, N	N/A	N/A	N/A	N/A	N/A	H	N/A	177505	N/A	N/A	177502	177503	N/A
70, 100, 150 (55V)	HPS	A,H	A,G,H,M,N	A,G,H,M,N	A,G,H,M,N	A,G,H,M,N	A,G,M	N/A	H	N/A	177505	N/A	N/A	177502	177503	N/A

**NOTE:** N/A = Not available.  
\*\*Medium Base Socket

# Product Dimensions



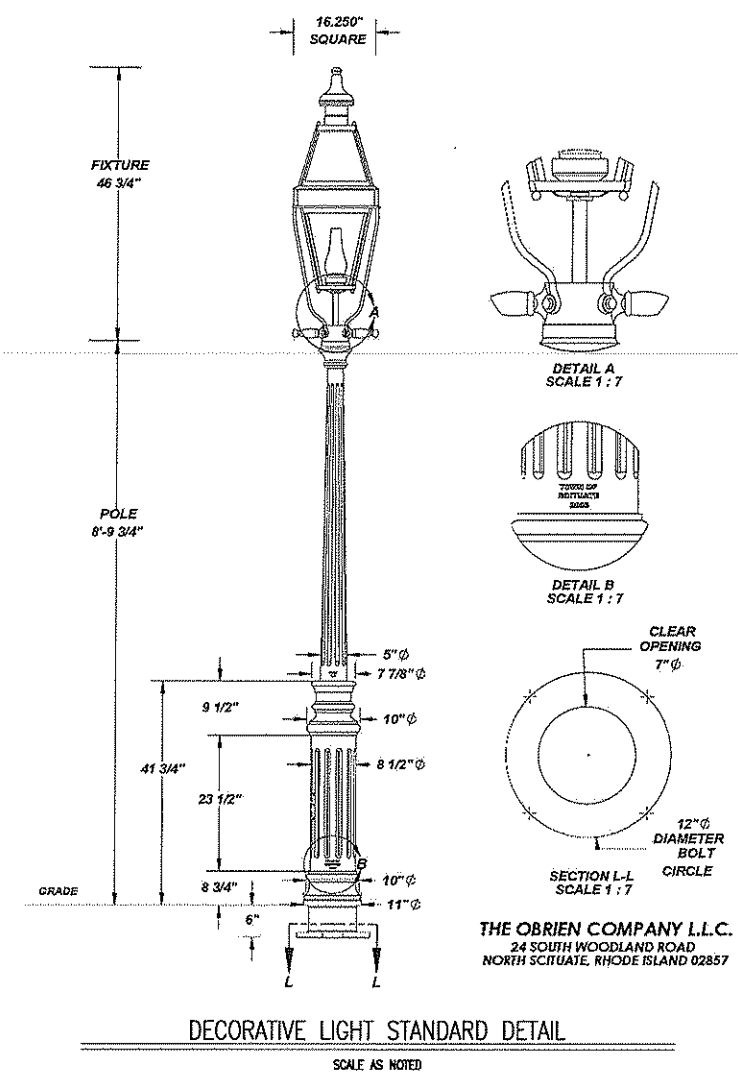
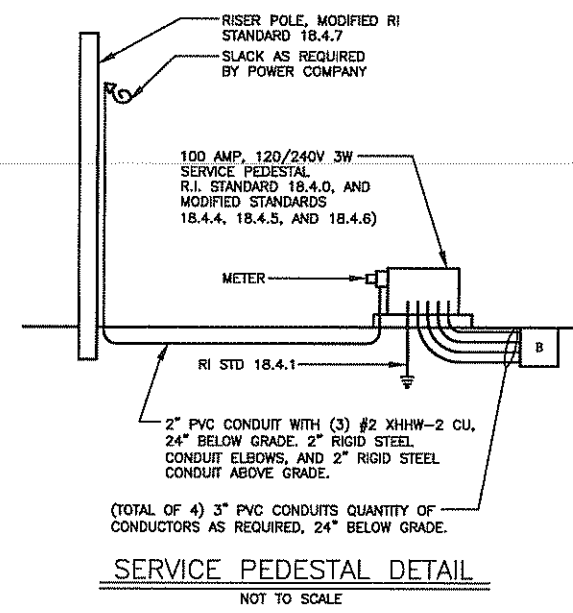
<b>DATA</b>	• Approximate Net Weight: 10-16 lbs (5-7 kgs)
	• Suggested Mounting Height: 10-18 ft. (3-5 M)
	• Effective Projected Area: 1.6 sq ft. max (0.15 sq M max)



GE Lighting Solutions • 1-888-MY-GE-LED • [www.gelightingsolutions.com](http://www.gelightingsolutions.com)

1-888-69-43-533

GE Lighting Solutions, LLC is a subsidiary of the General Electric Company. The GE brand and logo are trademarks of the General Electric Company.  
© 2017 GE Lighting Solutions, LLC. Information provided is subject to change without notice. All values are design or typical values when measured under laboratory conditions.

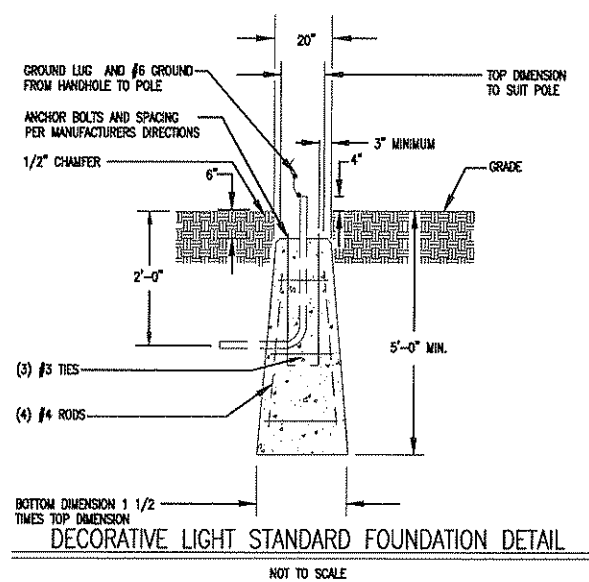


**LIGHTING LEGEND**

STA. 000+00 **A** ✕ DECORATIVE LIGHT STANDARD, LUMINAIRE AND BASE. LETTER INDICATES TYPE, NUMERALS INDICATE LOCATION.  
 HH ○ EXISTING HANDHOLE.  
**A** PRECAST TYPE "A" HANDHOLE. R.I. STANDARD 18.2.0.  
**H** HEAVY DUTY PRECAST TYPE "H" HANDHOLE. R.I. STANDARD 18.2.1.  
**B** TYPE "B" PULLBOX. R.I. STANDARD 18.2.2.  
 ---E--- NEW ELECTRIC SERVICE CONDUIT  
 ---S/L--- NEW LIGHTING CONDUIT  
 ○ UTILITY POLE  
 ✕ SERVICE PEDESTAL

**LIGHTING SCHEDULE**

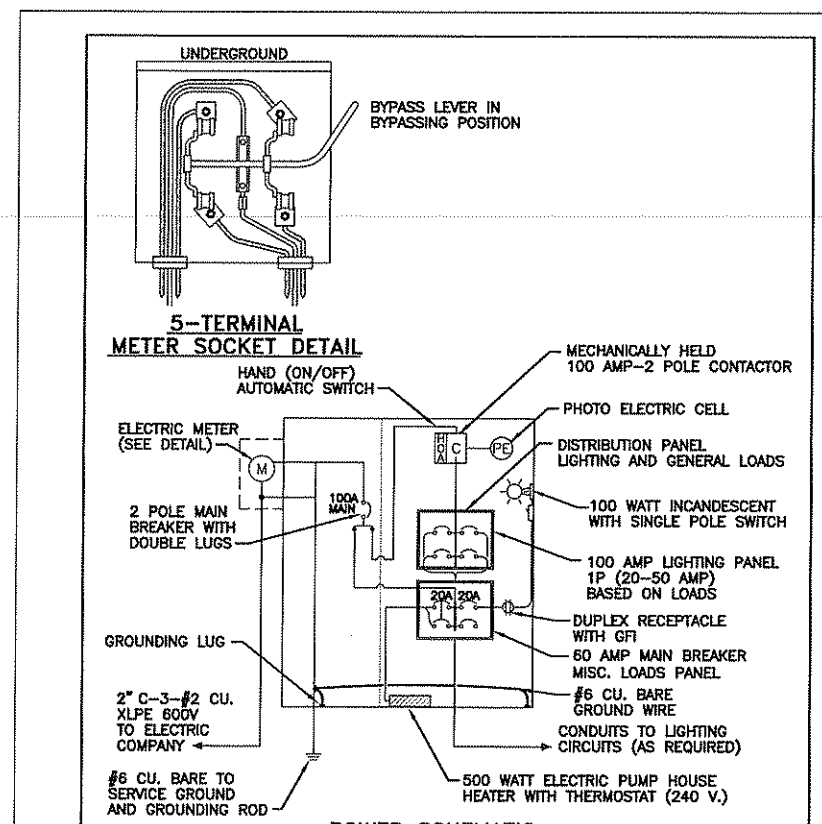
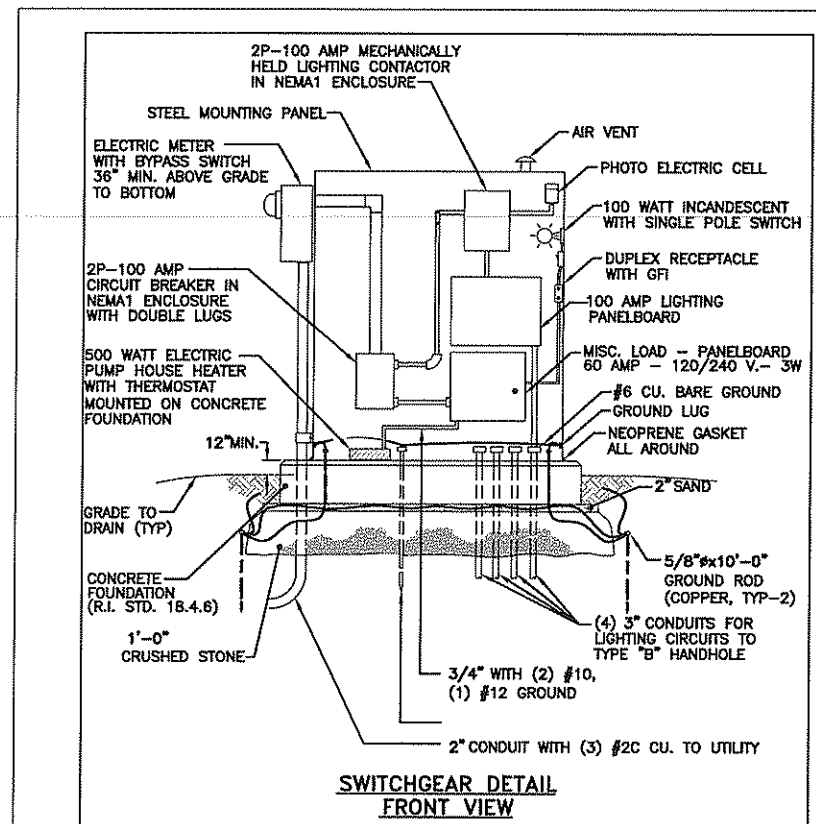
TYPE	HEIGHT ABOVE GRADE TO CENTER OF LUMINAIRE	WATTAGE	TYPE OF POLE	MOUNTING	REMARKS
A	APPROX. 10'-11"	150W HPS	AL	CONCRETE BASE	CUSTOM DECORATIVE HISTORICAL POLE LIGHT



**Gaskell Associates**  
 A Division of Thielsch Engineering  
 1341 Elmwood Avenue 120 Maple Street, Suite 304  
 Cranston, RI 02910 Springfield, MA 01103  
 G.A.S. # 100129

**COMMONWEALTH ENGINEERS & CONSULTANTS, INC.**  
 400 SMITH STREET  
 PROVIDENCE, RI 02908

REVISIONS			RHODE ISLAND DEPARTMENT OF TRANSPORTATION	
NO.	DATE	BY		
			1R HIGHWAY IMPROVEMENTS TO U.S. ROUTE 44 (PUTNAM PIKE) FROM AUSTIN AVENUE TO DANECROFT AVENUE	
			SMITHFIELD, RHODE ISLAND	
			<b>LIGHTING DETAILS NO. 1</b>	
CHECKED BY			JRF	DATE 12/20/10 SCALE 1"=20'



**NOTES:**  
 1. SHALL BE IN ACCORDANCE WITH SECTION T.09 OF THE R.I. STANDARD SPECIFICATIONS.  
 2. CONTRACTOR TO INSTALL OUTGOING CONDUITS DIRECTLY UNDERNEATH PANELBOARD.

RHODE ISLAND DEPARTMENT OF TRANSPORTATION  
**SERVICE PEDESTAL**  
 120/240 OR 120/208 VOLTS - 3W

REVISIONS:  
 1. M.L.P. 6/27/08  
 JUN 15, 1998  
 R.I. STANDARD 18.4.4 MOD.

**NOTES:**  
 1. SHALL BE IN ACCORDANCE WITH SECTION T.09 OF THE R.I. STANDARD SPECIFICATIONS.  
 2. ON THREE-WIRE INSTALLATIONS, TERMINAL AND JAW AT "B" MUST BE GROUNDED.

RHODE ISLAND DEPARTMENT OF TRANSPORTATION  
**SERVICE PEDESTAL**  
 120/240 OR 120/208 VOLTS - 3W

REVISIONS:  
 1. M.L.P. 6/27/08  
 JUN 15, 1998  
 R.I. STANDARD 18.4.5 MOD.

**NOTES:**  
 1. R.I. STANDARD DETAIL 18.4.6 IS MODIFIED FOR 2" CONDUIT TO UTILITY WITH PVC UNDERGROUND AND RIGID STEEL CONDUIT ELBOWS AND ABOVE GROUND.  
 2. R.I. STANDARD DETAIL 18.7.0 IS MODIFIED FOR 2" PVC CONDUIT UNDERGROUND. 2" RIGID STEEL CONDUIT FOR ELBOW AND RISER TO REMAIN.

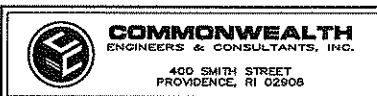
PANEL: LP															100 A 120/240 V 1PH 3W 60HZ																						
CKT No.	Load Type	LOAD DESCRIPTION	Note	WIRE SIZE	LOAD KVA	CIRCUIT BREAKER						CKT No.	Load Type	LOAD DESCRIPTION	Note	WIRE SIZE	LOAD KVA	CIRCUIT BREAKER																			
						15/1	20/1	30/1	40/1	50/1	X							X	X	X	X	X	X														
1	L	LIGHTING		2	0.2					1					2	0.2							1														
3	L	LIGHTING		2	0.0					1					4	0.2																					
5	L	LIGHTING		2	0.0					1					6	0.2																					
7	L	LIGHTING		2	0.2					1					8	0.2																					
9		SPARE								1					10																						
11		SPARE								1					12																						
13		SPARE								1					14																						
15		SPARE								1					16																						
17		BUSSED SPACE													18																						
19		BUSSED SPACE													20																						
21		BUSSED SPACE													22																						
23		BUSSED SPACE													24																						
25		BUSSED SPACE													26																						
27		BUSSED SPACE													28																						
29		BUSSED SPACE													30																						
31		BUSSED SPACE													32																						

Connected Load 0.8 KVA  
 Receptacle Load 0.0 KVA Noncontinuous 0.8 KVA  
 Lighting Load 0.8 KVA Continuous 1.0 KVA  
 Power Load 0.0 KVA Noncontinuous 0.0 KVA  
**TOTAL LOAD 1.0 KVA**  
 AMPERAGE: 4 AMP

PANEL: MP															60 A 120/240 V 1PH 3W 60HZ																					
CKT No.	Load Type	LOAD DESCRIPTION	Note	WIRE SIZE	LOAD KVA	CIRCUIT BREAKER						CKT No.	Load Type	LOAD DESCRIPTION	Note	WIRE SIZE	LOAD KVA	CIRCUIT BREAKER																		
						15/1	20/1	30/1	40/1	50/1	X							X	X	X	X	X														
1	R	RECEPTACLE		12	0.2					1						2	0.1																			
3	M	HEATER		12	0.5					1						4	0.1																			
5		SPARE								1						6																				
7		SPARE								1						8																				
9		SPARE								1						10																				
11		SPARE								1						12																				

Connected Load 0.9 KVA  
 Receptacle Load 0.2 KVA Noncontinuous 0.2 KVA  
 Lighting Load 0.2 KVA Continuous 0.3 KVA  
 Power Load 0.5 KVA Noncontinuous 0.5 KVA  
**TOTAL LOAD 1.0 KVA**  
 AMPERAGE: 4 AMP

**Gaskell Associates**  
 A Division of Thielsch Engineering  
 1341 Elmwood Avenue 120 Maple Street, Suite 304  
 Cranston, RI 02910 Springfield, MA 01103  
 G.A.S. # 100129



RHODE ISLAND DEPARTMENT OF TRANSPORTATION  
 1R HIGHWAY IMPROVEMENTS TO U.S. ROUTE 44 (PUTNAM PIKE) FROM AUSTIN AVENUE TO DANECROFT AVENUE  
 SMITHFIELD, RHODE ISLAND  
**LIGHTING DETAILS NO. 2**

CHECKED BY JRF DATE 12/20/10 SCALE 1"=20'