

GE
Lighting Solutions

Decorative Post Top Lighting

Town and Country™ (T10C & T10R)



imagination at work

Product Features

GE offers a variety of decorative Post Top and Pendant Mount Lighting solutions that range from the nostalgic looks of yesterday to the sleek, modern designs of today, providing style and elegance to downtown areas, commercial developments, parks and residential communities.

Applications

- Residential areas and walkways
- Shopping centers and malls



Housing

- Die-cast aluminum housing

Finish

- Powder coat paint finish

Ratings

- / 1598 Listed Suitable for Wet Locations
- UL listed to Canadian National Standards and Codes when polycarbonate refractor is used and "U" option is chosen



Unique Features

- Hinged canopy
- Stainless steel catch to avoid hinge breakage
- Acrylic or polycarbonate refractors
- Integral ballast
- Mogul base socket – E39 standard (T10C vertical; T10R horizontal – 15°)
- Plug-in ignitor
- No-tool PE receptacle
- Optional pendant mount (Contact factory)

Ordering Number Logic

Town and Country™ (T10C & T10R)



PROD. ID	WATTAGE	LIGHT SOURCE	VOLTAGE	BALLAST TYPE	PE FUNCTION	REFRACTOR	IES DISTRIBUTION TYPE	COLOR	OPTIONS
T10C = Town and Country Luminaire with vertical socket	05 = 50 07 = 70 10 = 100 15 = 150 (55V)	S = HPS Standard: Lamp not included.	60Hz 0 = Multivolt HPS Auto-Reg 1 = 120 2 = 208 3 = 240 4 = 277 5 = 480 7 = 120X240 8 = 240V Ballast 120V PE Receptacle. Not reconnectable C = 120x240 277 D = 347 F = 120X347 NOTE: Dual voltage connected for lower voltage	See Ballast and Photometric Selection Table A = Autoreg G = Mag-Reg with Grounded Socket Shell H = HPF Reactor or Lag M = Mag-Reg N = NPF Reactor or Lag	1 = None 2 = PE Receptacle NOTE: Receptacles connected same voltage as unit except as noted. Order PE Control separately.	A = Acrylic L = Polycarbonate	See Ballast and Photometric Selection Table SS4 = Short Semi-cutoff Type IV SS5 = Short Semi-cutoff Type V MS2 = Medium Semi-cutoff Type II MS3 = Medium Semi-cutoff Type III MS5 = Medium Semi-cutoff Type V	BL = Black (Standard) DB = Dark Bronze GR = Gray	F = Fusing (Not available with dual voltage) J = Line Surge Protector, Expulsion Type (Not available for UL Listed units) L = Latch Canopy T = Terminal Board U =  /  Listed and CSA Certified (Available with polycarbonate refractor only) NOTE: Terminal Board (T option) Required for UL Listing
T10R = Town and Country Luminaire with horizontal -15° socket									
NOTE: UL Listed and CSA certified when Polycarbonate refractor is used. See "U" option.									

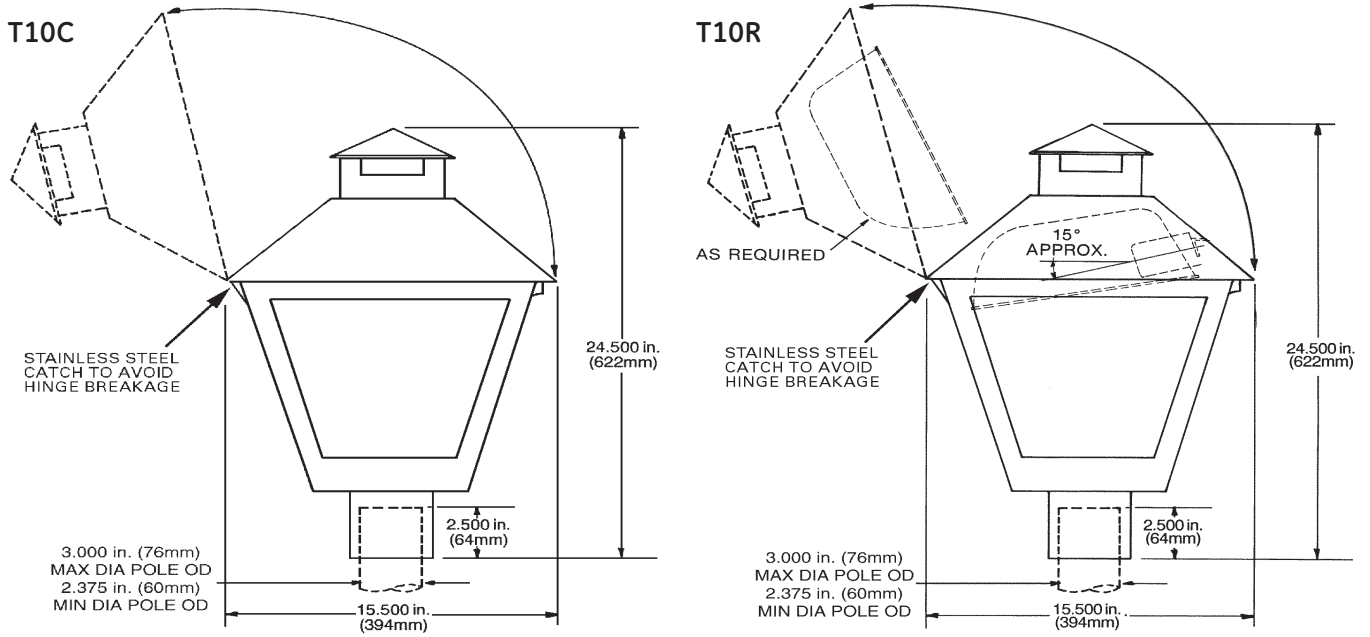
ALL METAL HALIDE VERSIONS AND THEIR ASSOCIATED OPTIONS ARE NO LONGER AVAILABLE EFFECTIVE JANUARY 1, 2017

Ballast and Photometric Selection Table

All light sources are clear unless otherwise indicated.											Photometric Curve Number 35-					
		Ballast Type/Voltage								T10C		T10R				
Wattage	Light Source	Multi-volt	120	208	240	277	480	347, 120X240	120X347	PE R 240/120	IES Distribution Type			MS2	M	SS4
											MS5	SS4	SS5			
50	HPS	N/A	H, N	N/A	N/A	N/A	N/A	N/A	H	N/A	177505	N/A	N/A	177502	177503	N/A
70, 100, 150 (55V)	HPS	A,H	A,G,H,M,N	A,G,H,M,N	A,G,H,M,N	A,G,H,M,N	A,G,M	N/A	H	N/A	177505	N/A	N/A	177502	177503	N/A

NOTE: N/A = Not available.
**Medium Base Socket

Product Dimensions



DATA	• Approximate Net Weight: 10-16 lbs (5-7 kgs)
	• Suggested Mounting Height: 10-18 ft. (3-5 M)
	• Effective Projected Area: 1.6 sq ft. max (0.15 sq M max)



GE Lighting Solutions • 1-888-MY-GE-LED • www.gelightingsolutions.com

1-888-69-43-533

GE Lighting Solutions, LLC is a subsidiary of the General Electric Company. The GE brand and logo are trademarks of the General Electric Company.
© 2017 GE Lighting Solutions, LLC. Information provided is subject to change without notice. All values are design or typical values when measured under laboratory conditions.